



Pallet racking | Palletenregal Palletstellingen | Paletový regál

- ⓔⓃ Instructions for assembly - Smart range
- ⓓⓔ Anweisungen für die Montage - Smart range
- ⓃⓁ Instructies voor montage - Smart range
- ⓐⓏ Návod k montáži - Smart range

- (EN) Below Protective clothing must be worn during assembly, disassembly and conversion work.
- (DE) Die folgende Sicherheitsausrüstung muss bei Montage-, Demontage- und Änderungsarbeiten benutzt werden.
- (NL) De volgende beschermende voorzieningen moeten worden gebruikt bij montage-, demontage- en wijzigingswerkzaamheden.
- (CZ) Ochranný oděv popsany níže musí být použit při montáži, demontáži a přestavbě.



- Safety Helmet
- Sicherheitshelm
- Veiligheidshelm
- Ochranná přilba



- Safety ear protectors
- Ohrenschutz
- Oorbescherming
- Ochranná sluchátka proti hluku



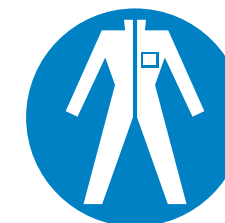
- Safety glasses
- Schutzbrille
- Veiligheidsbril
- Ochranné brýle



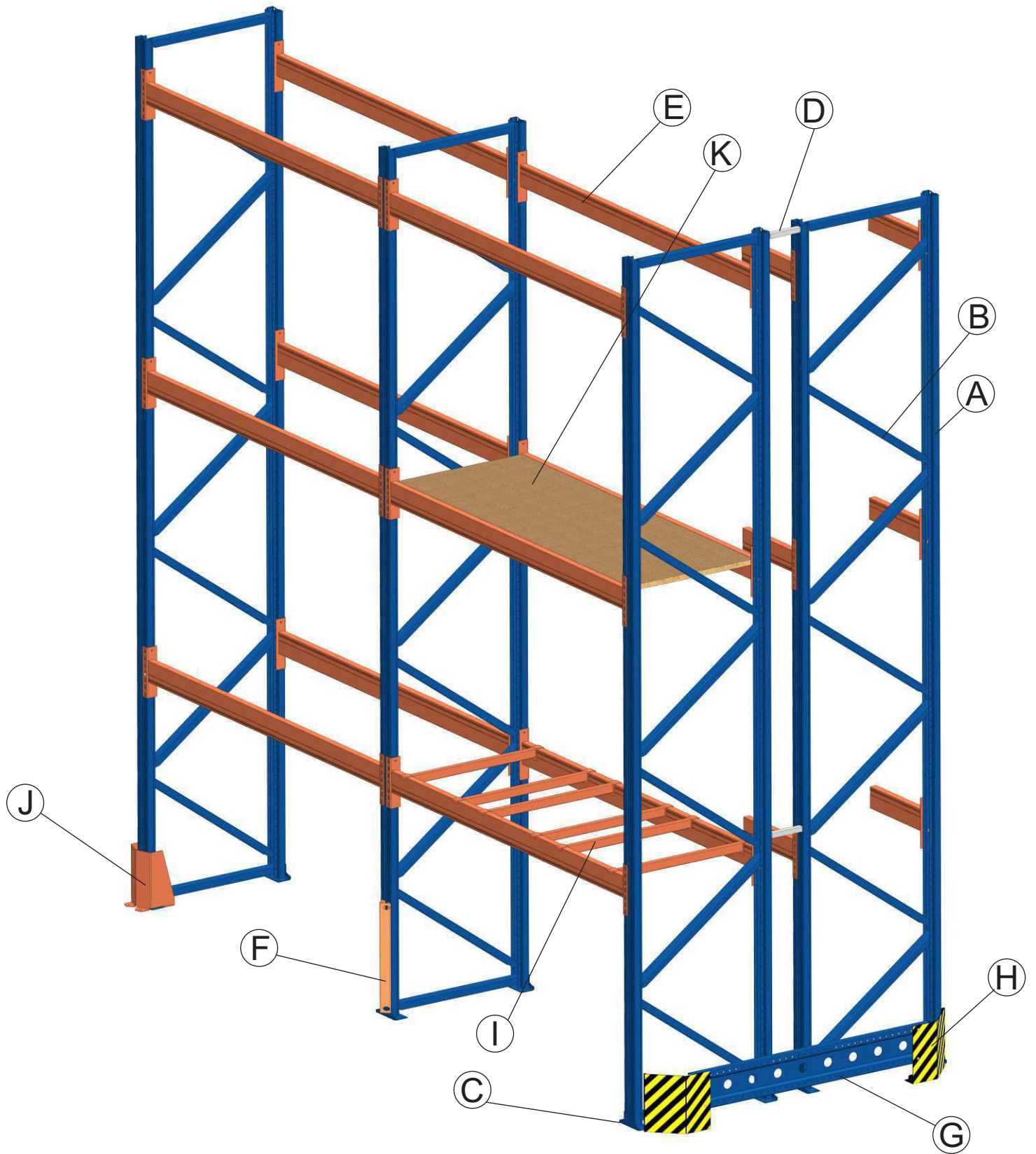
- Safety gloves
- Schutzhandschuhe
- Veiligheidshandschoenen
- Ochranné rukavice

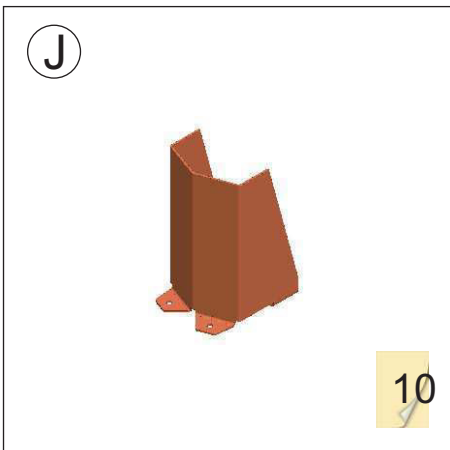
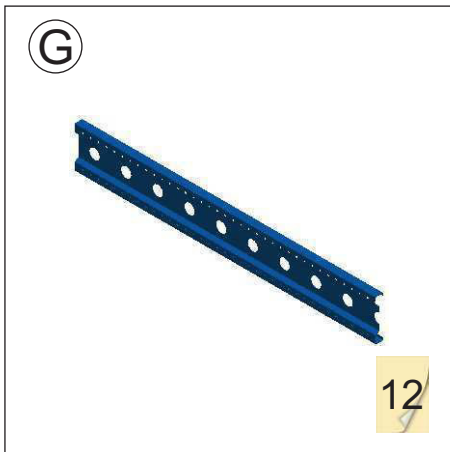
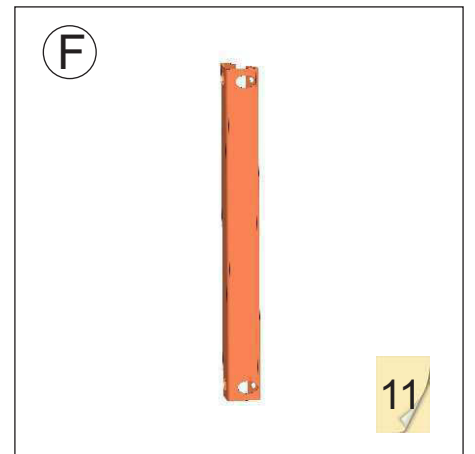
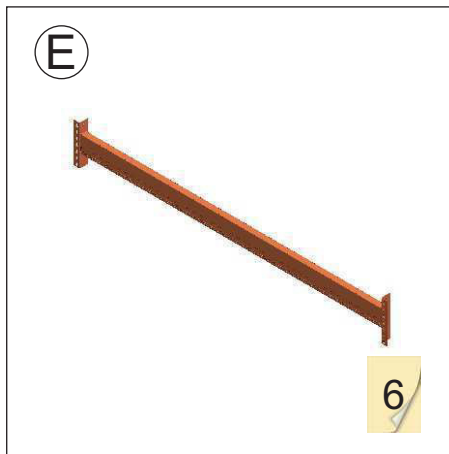
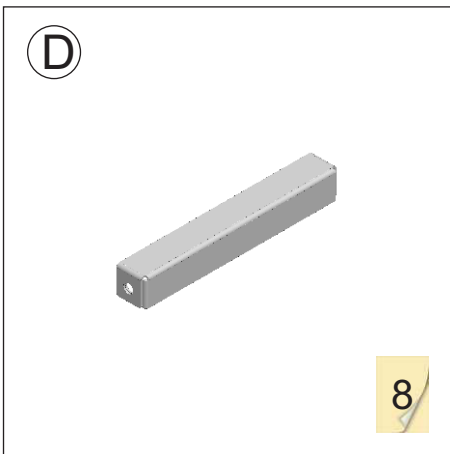
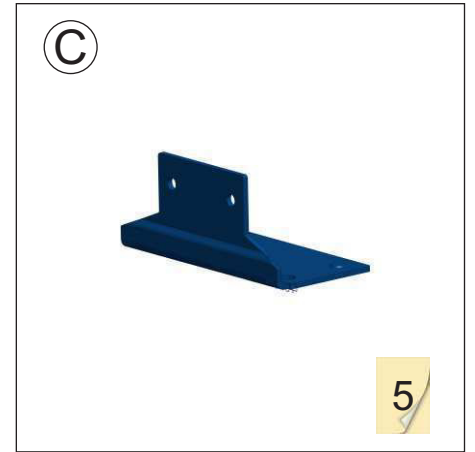
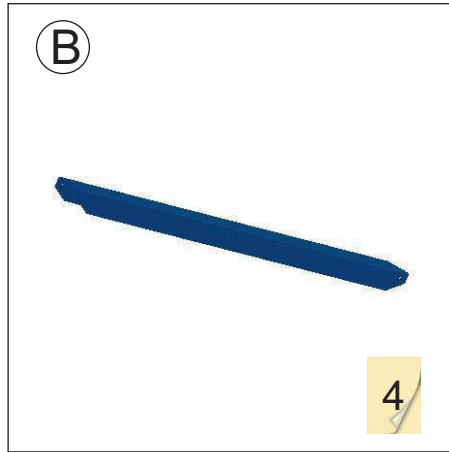
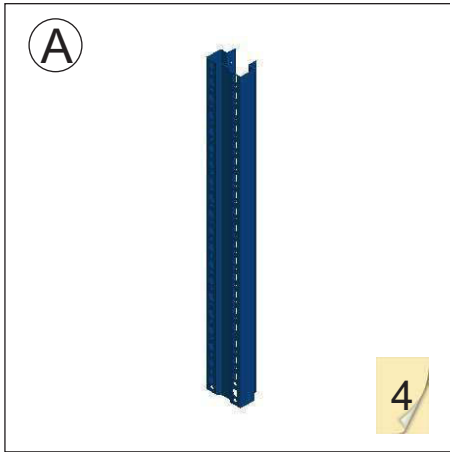


- Safety shoes
- Sicherheitsschuhe
- Veiligheidsschoenen
- Ochranná obuv





- Safety suit
- Schutzkleidung
- Veilige werkkleding
- Ochranný oděv

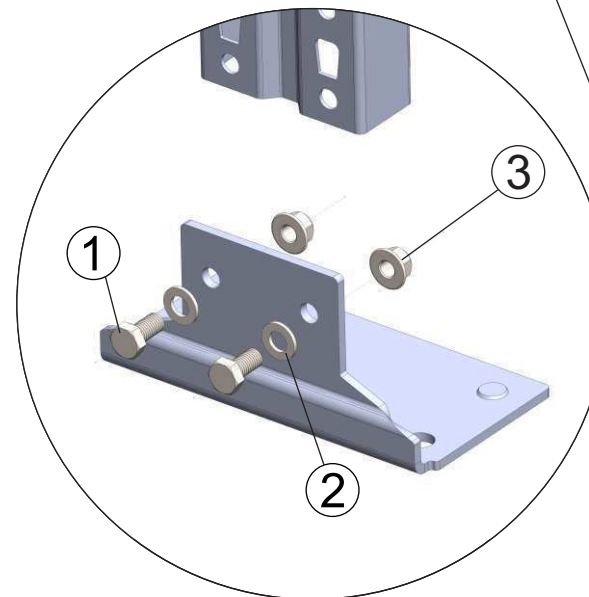
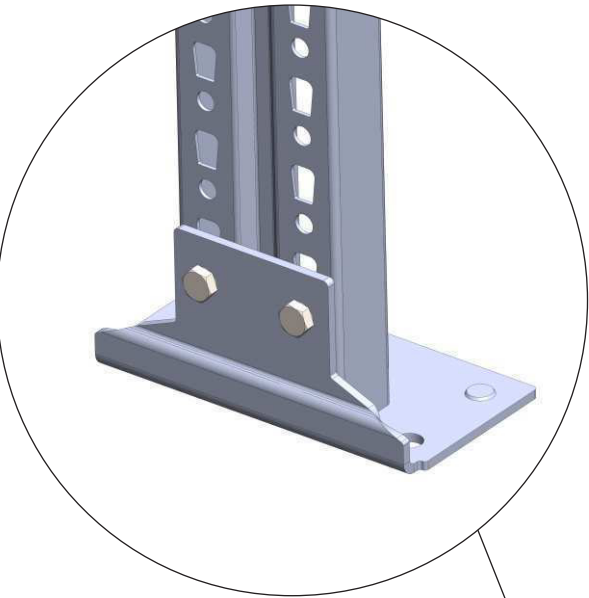
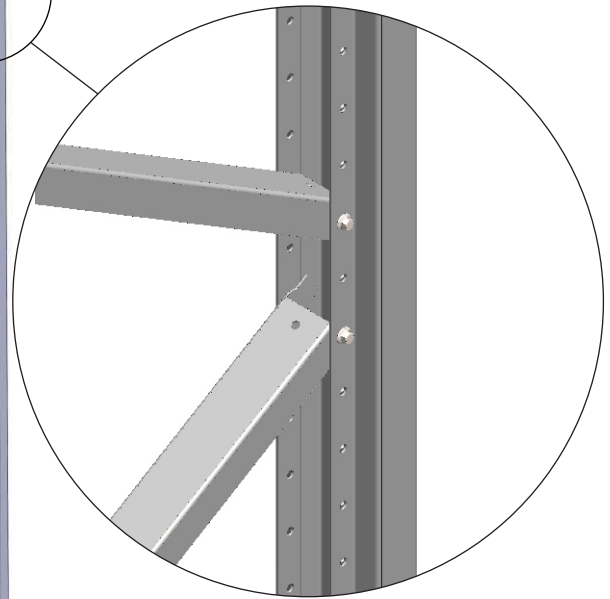
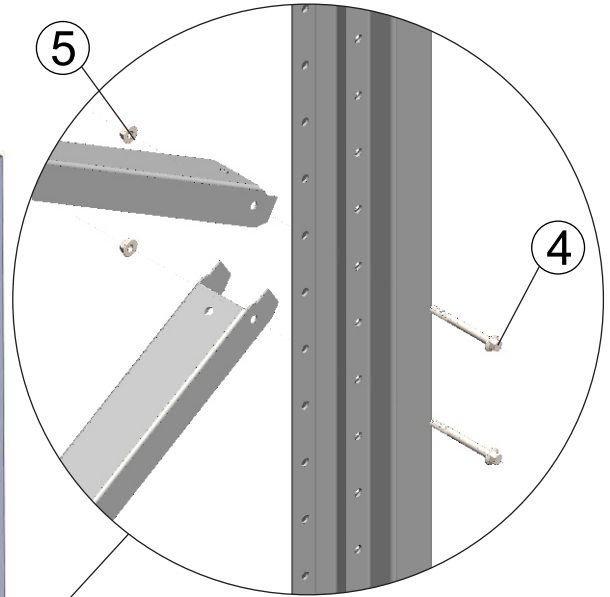






④		M6x65/70 27793/27815	8.8	2x
⑤		M6 27820	8.8	2x

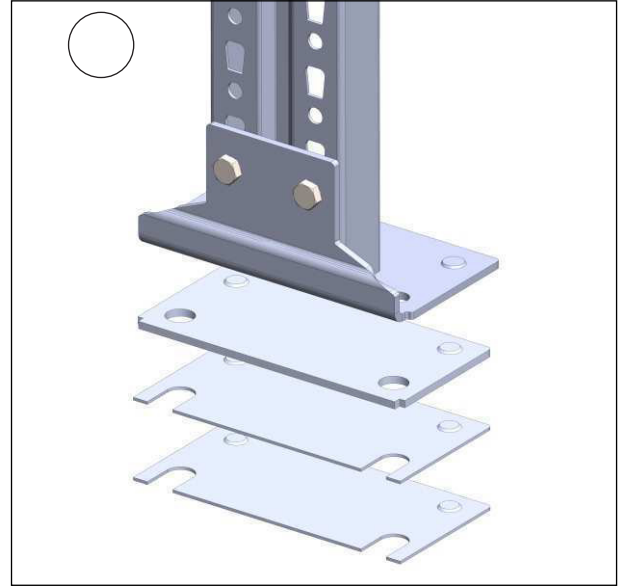
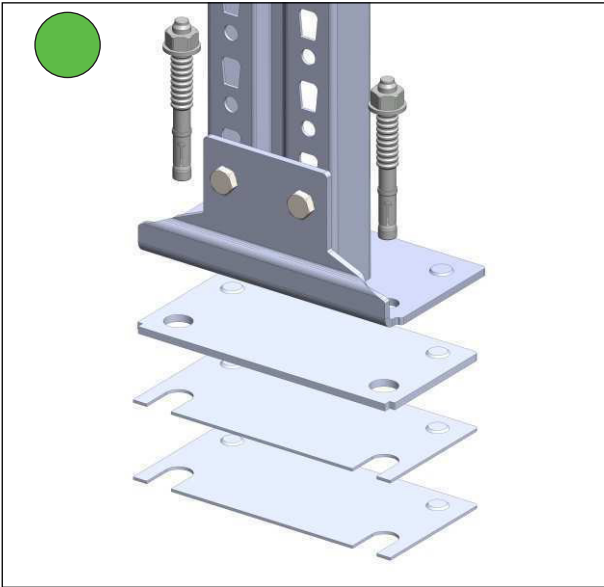
12 Nm
10 



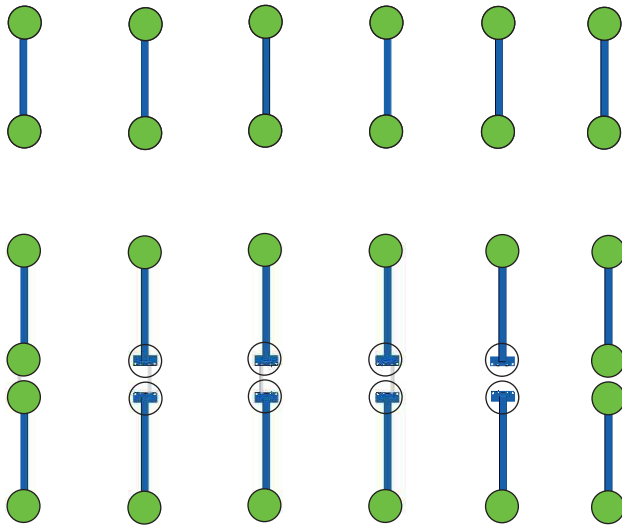
17/13


12 Nm

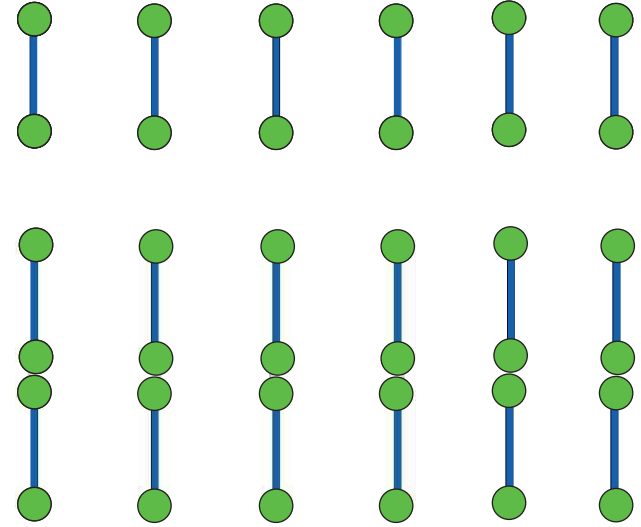
①		M10x25 1628	8.8	2x
②		M10 2536	8.8	2x
③		M10 1743	8.8	2x



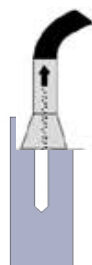
EU/DE



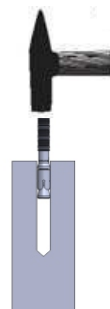
NL



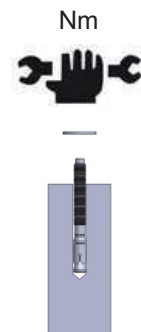
A



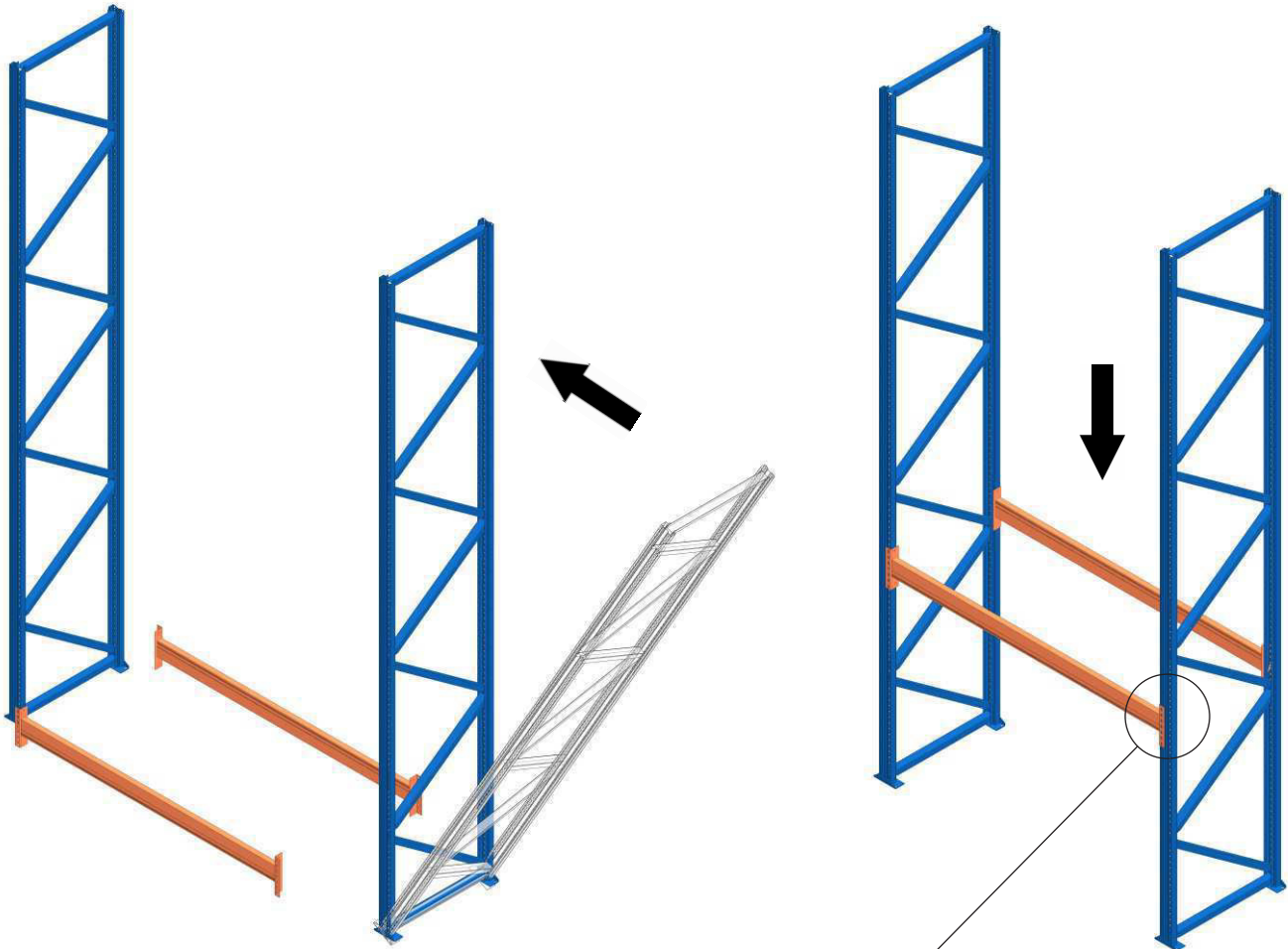
B



C

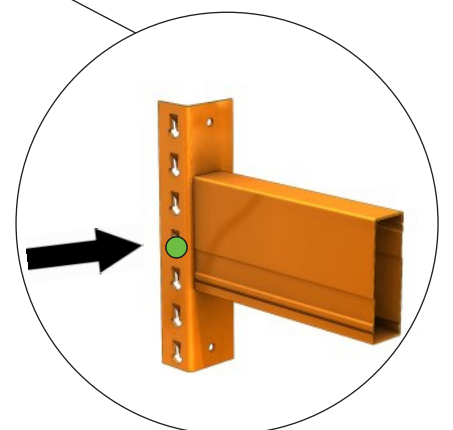
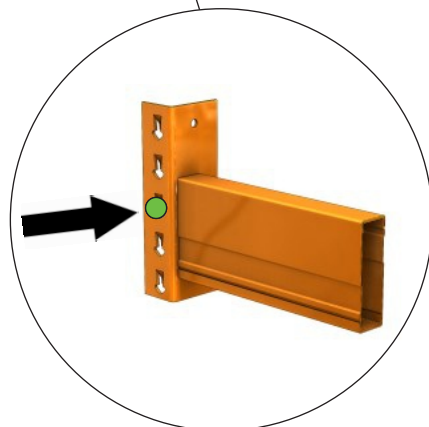
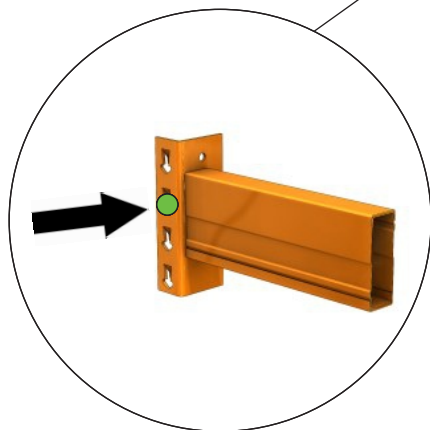
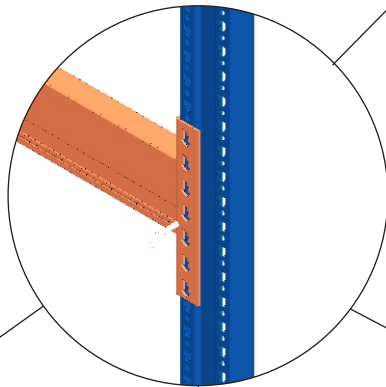


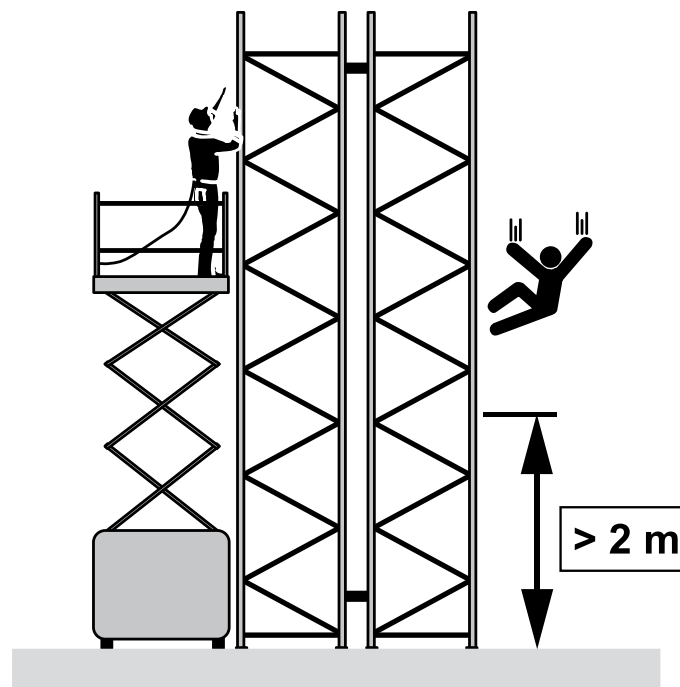
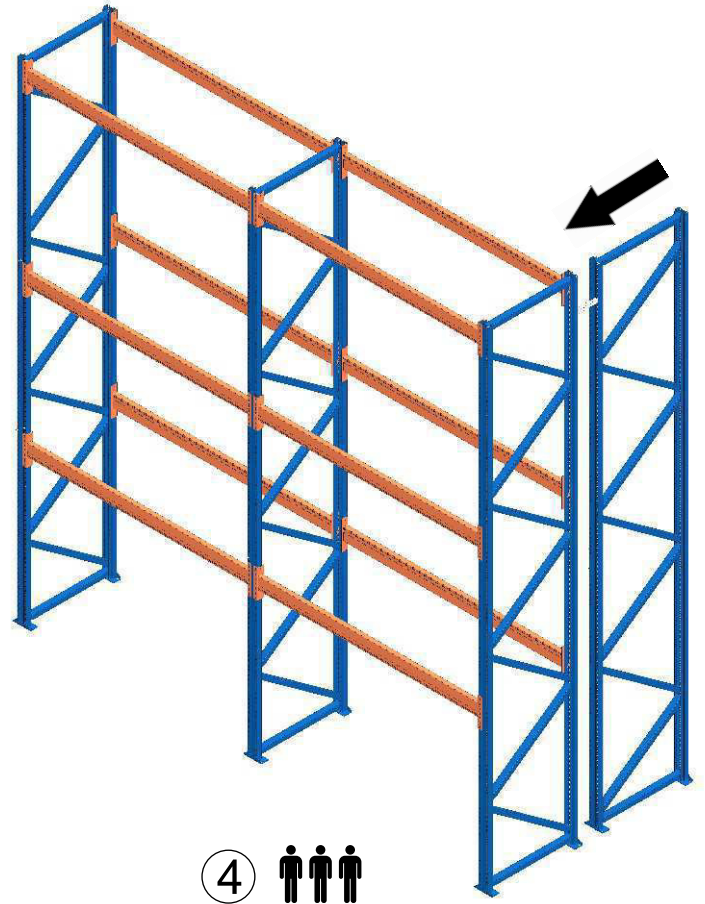
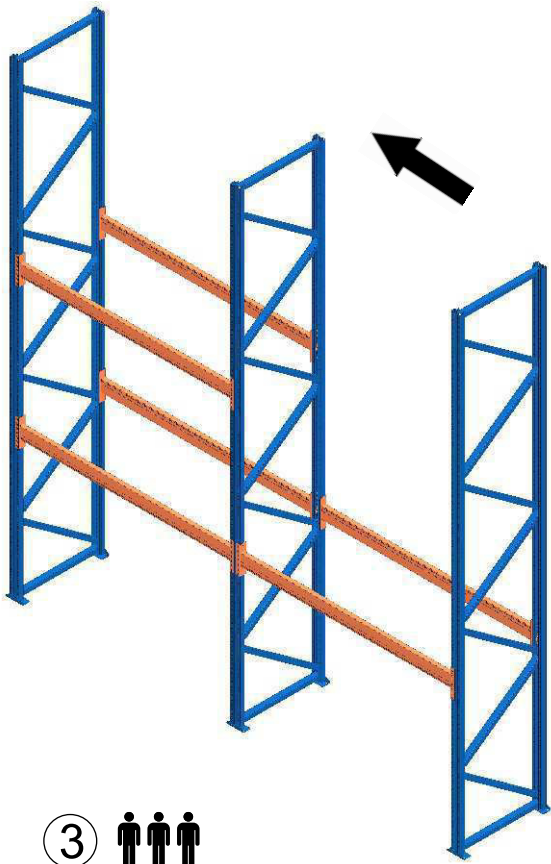
D



① 

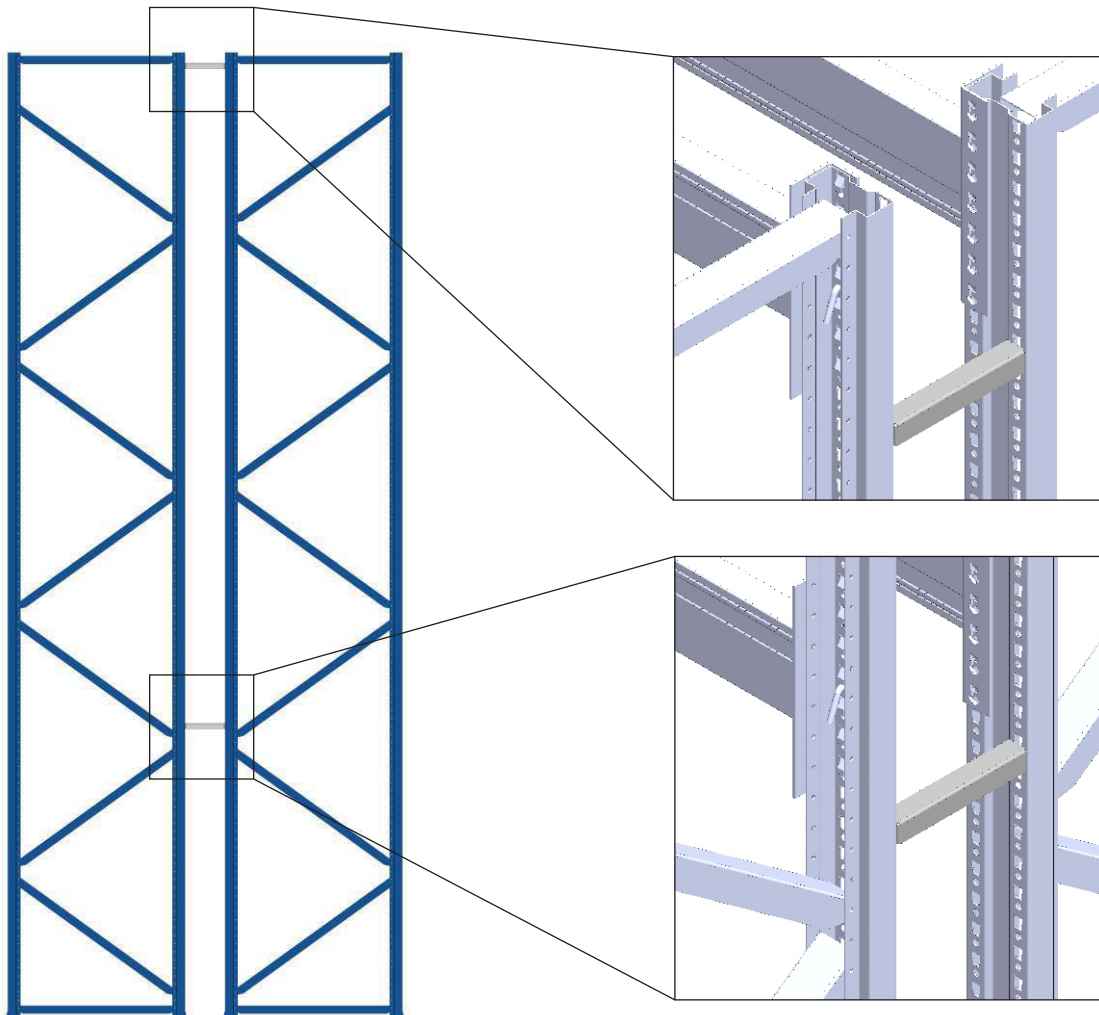
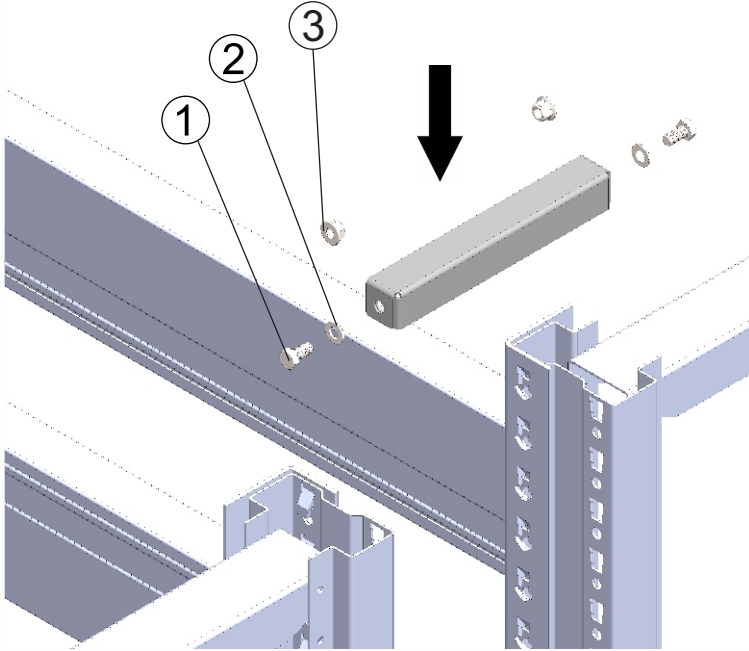
② 

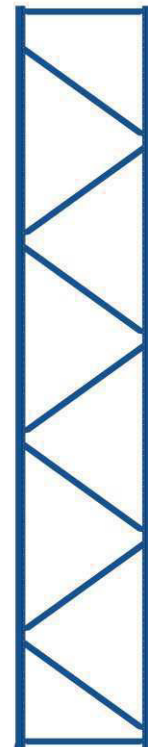
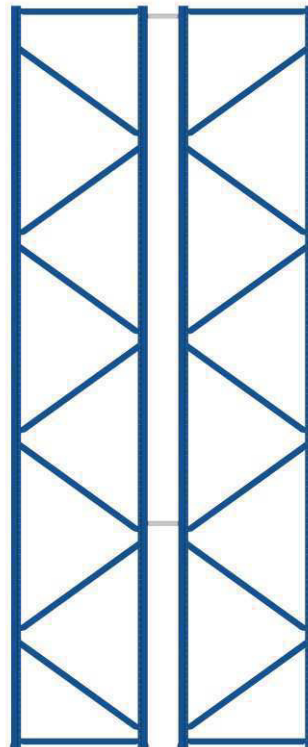
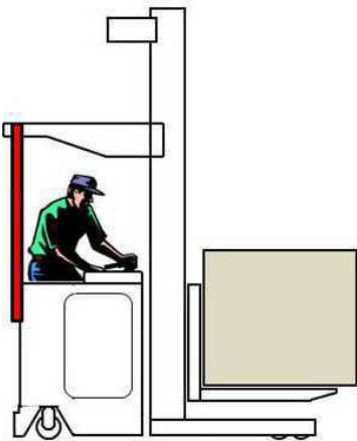
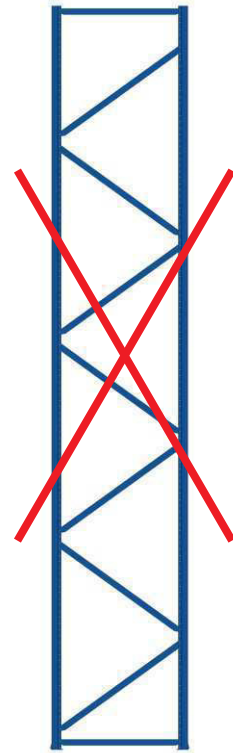
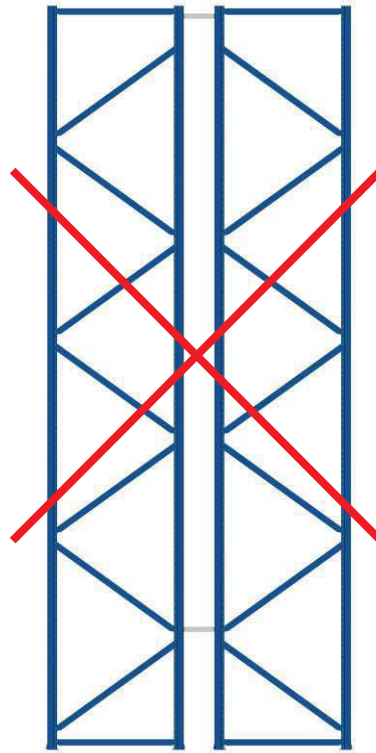


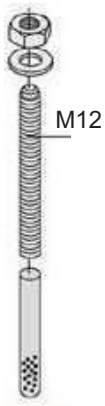
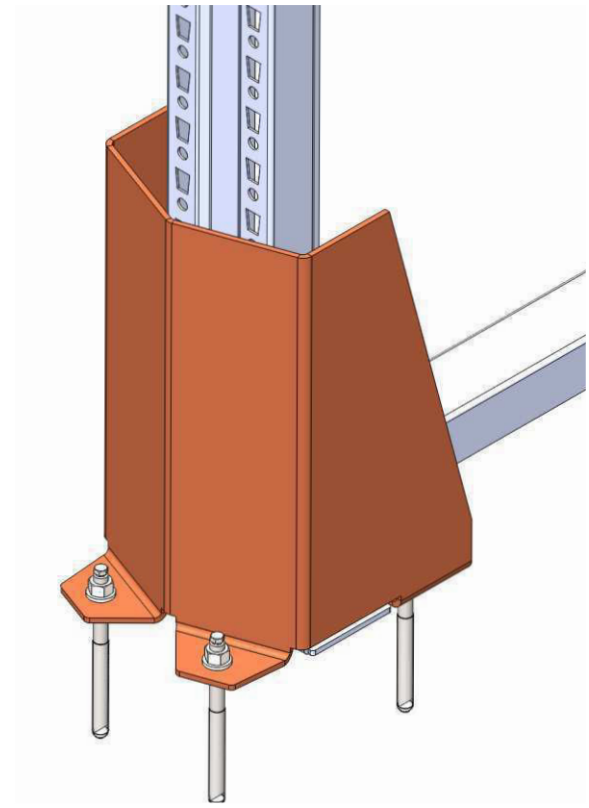
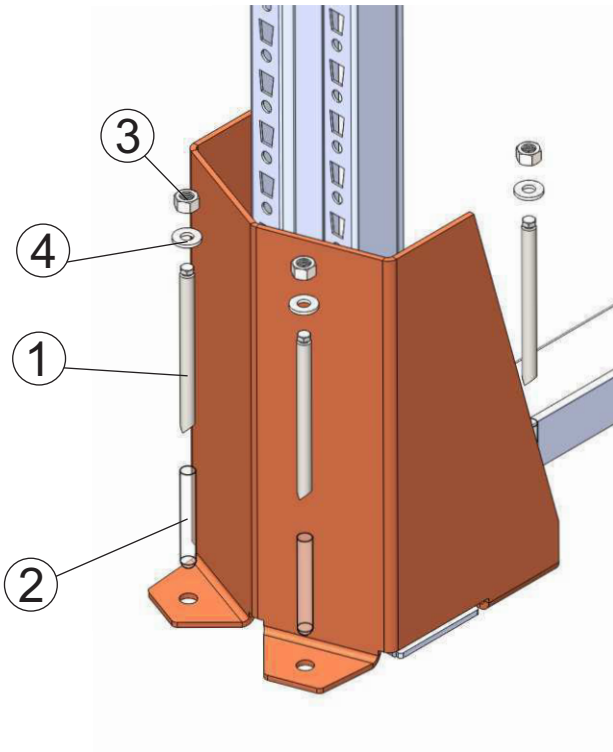




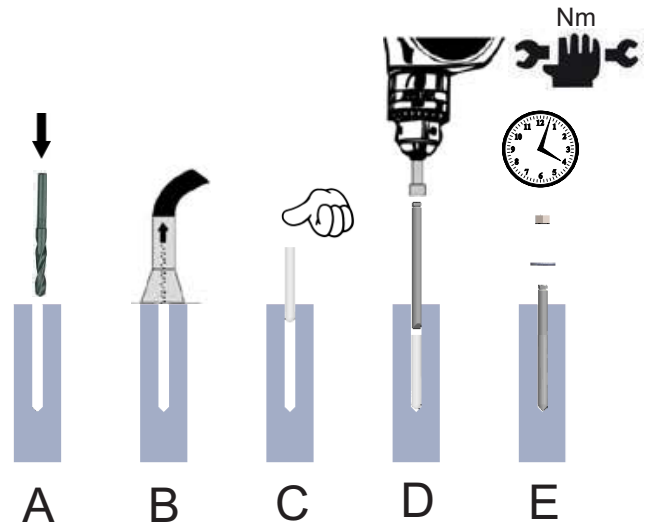
①		M10x25 1628	8.8	2x
②		M10 2536	8.8	2x
③		M10 1743	8.8	2x

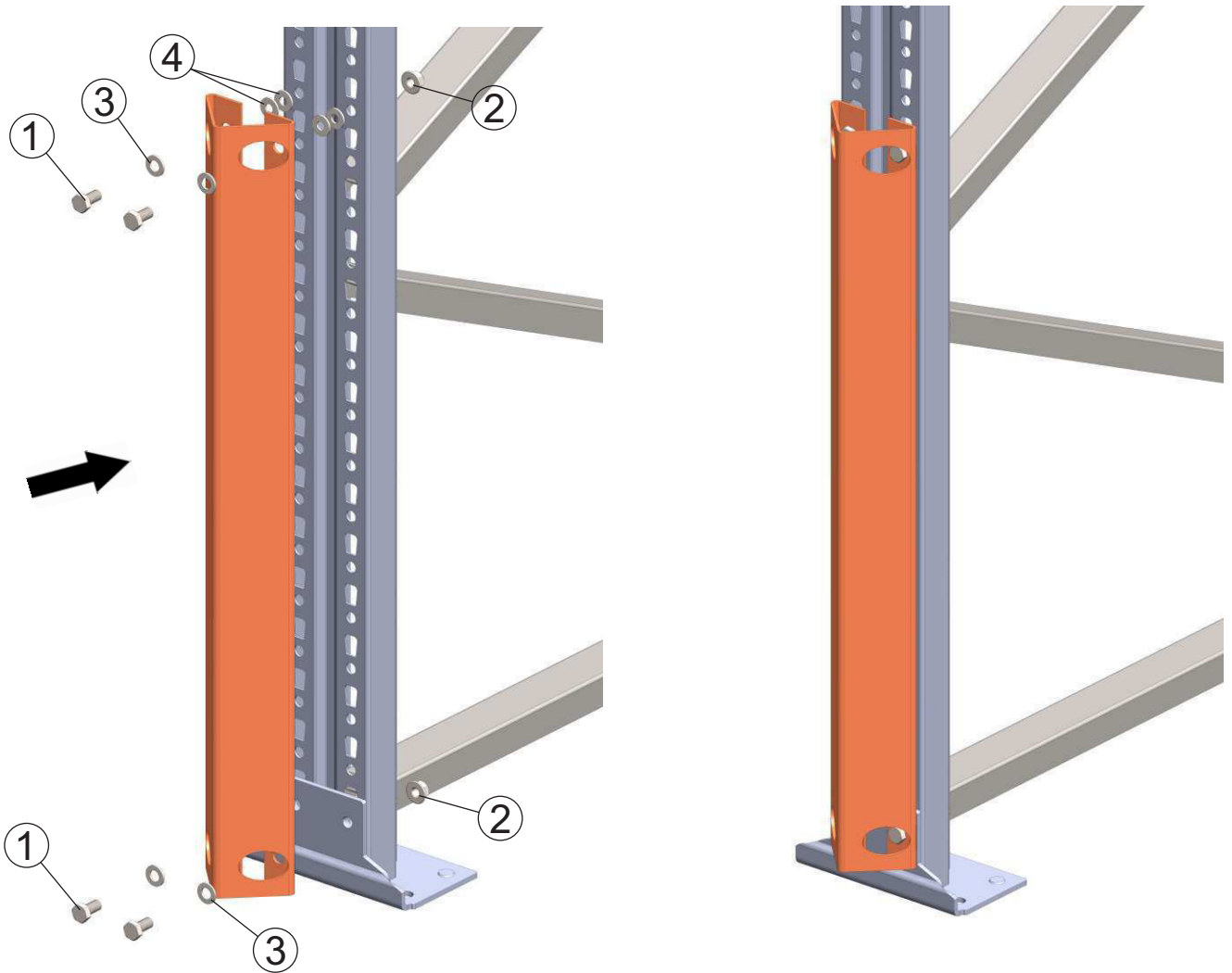




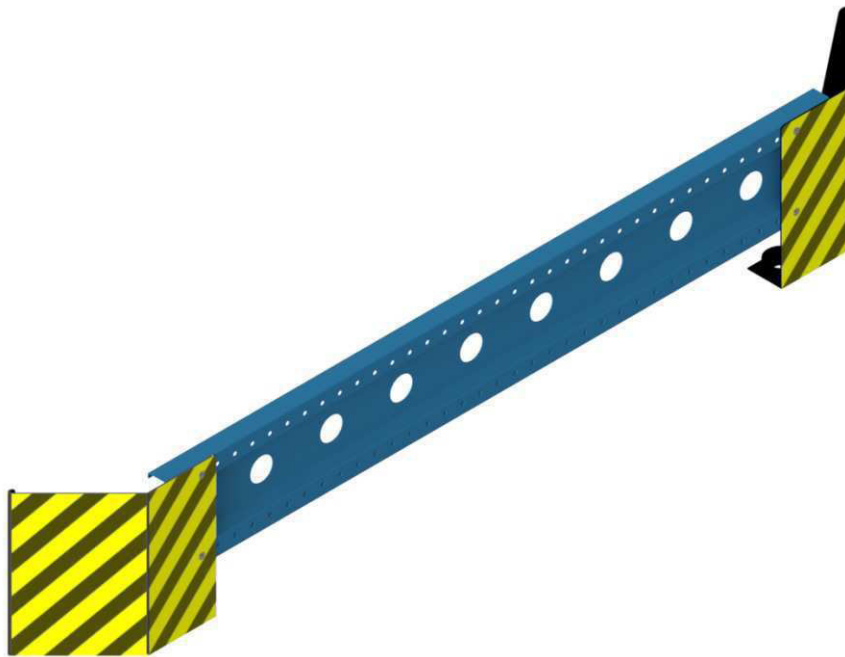
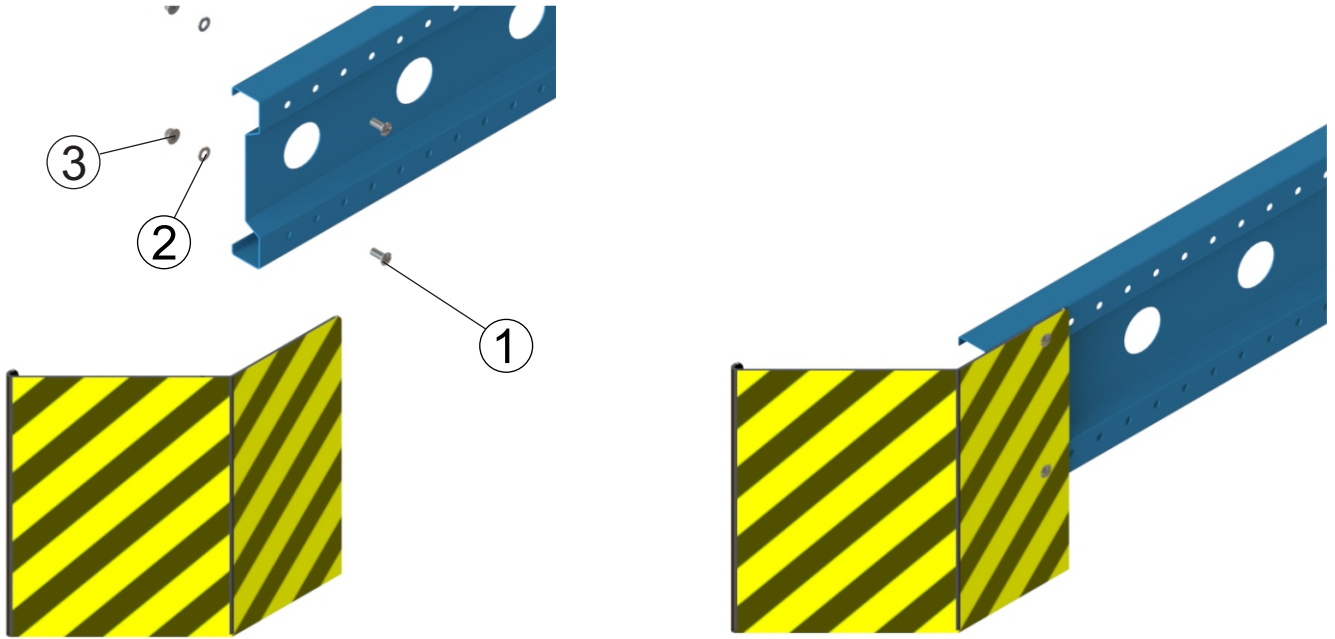


①		M12x130 1862	8.8	4x
②		M12 47437	8.8	4x
③		M12 1743	8.8	4x
④		M12 2536	8.8	4x

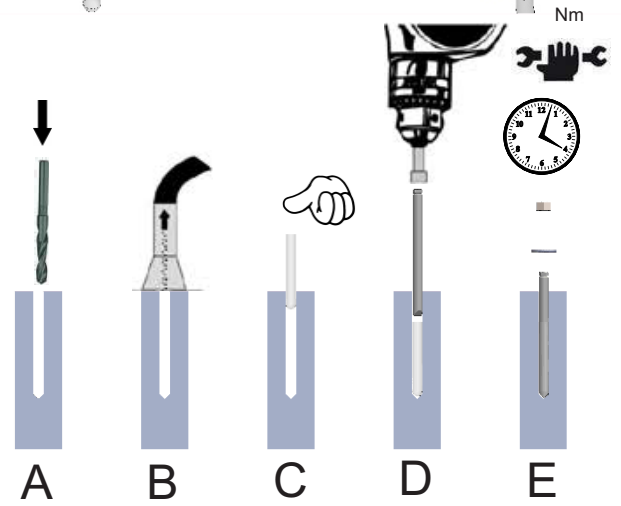
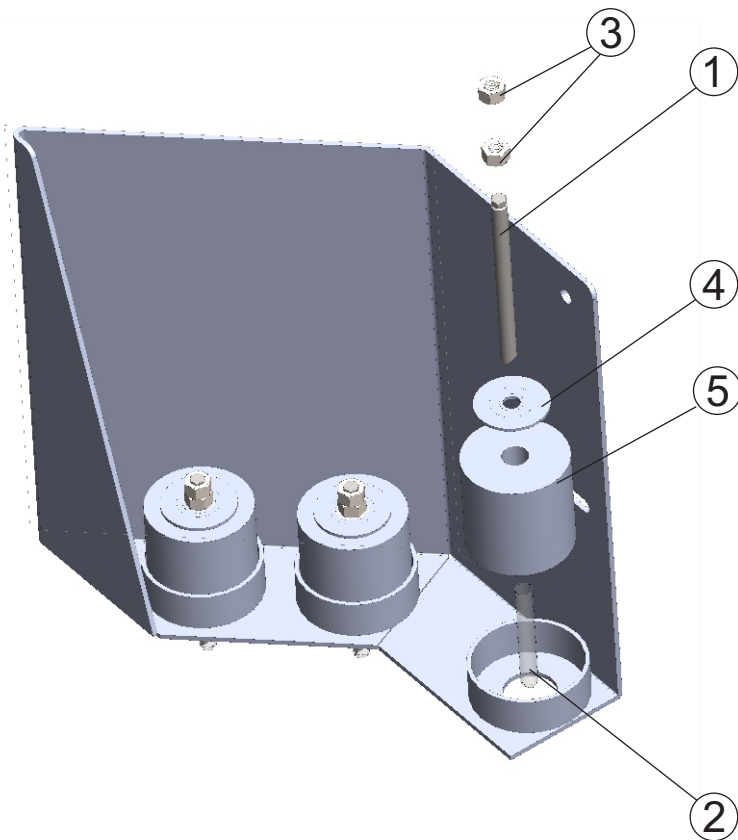
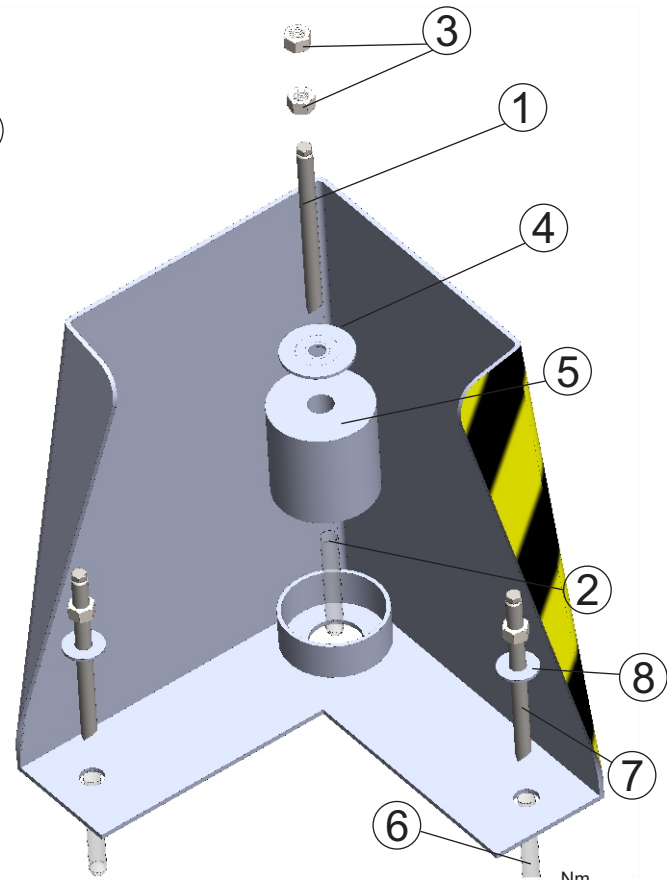
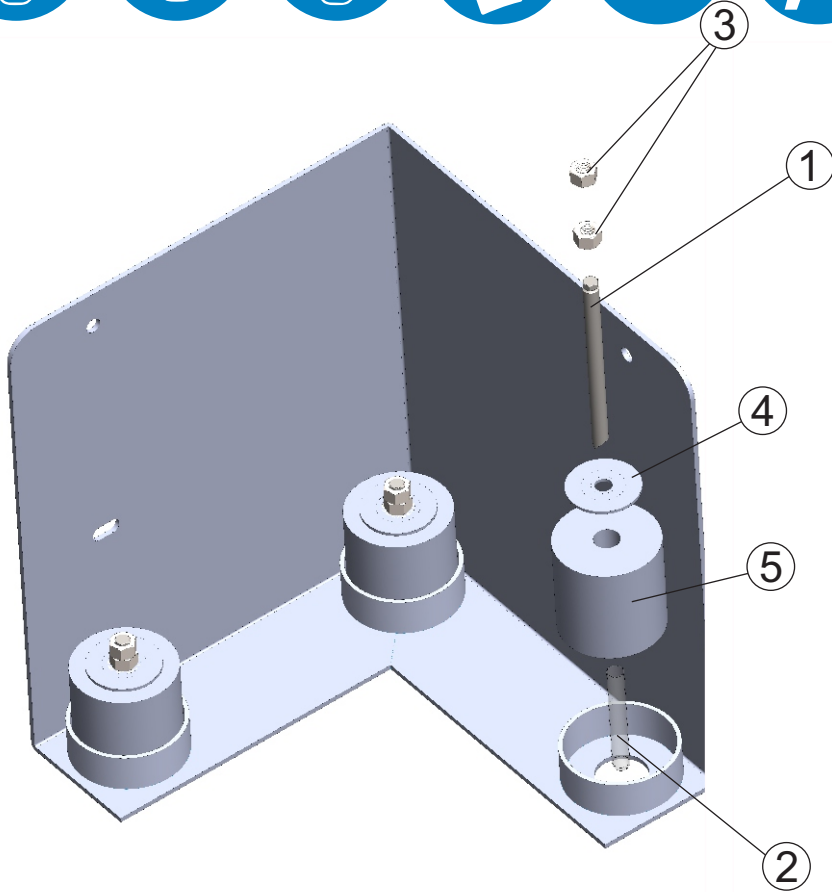




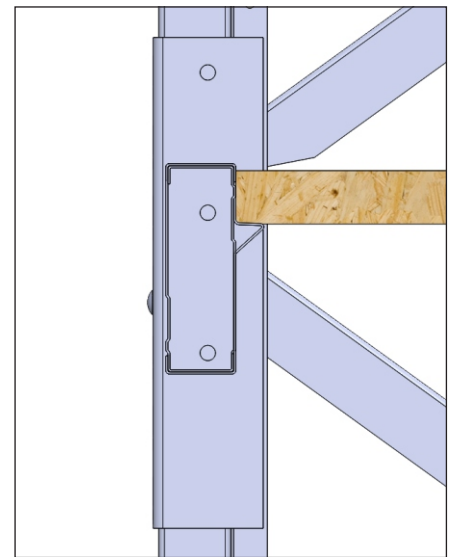
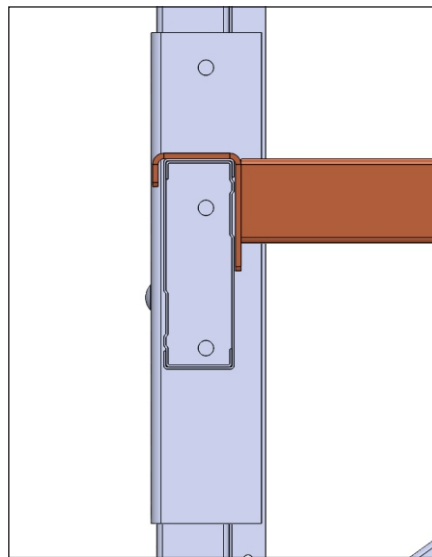
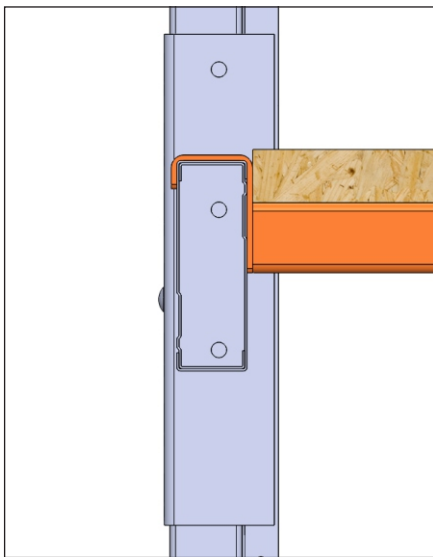
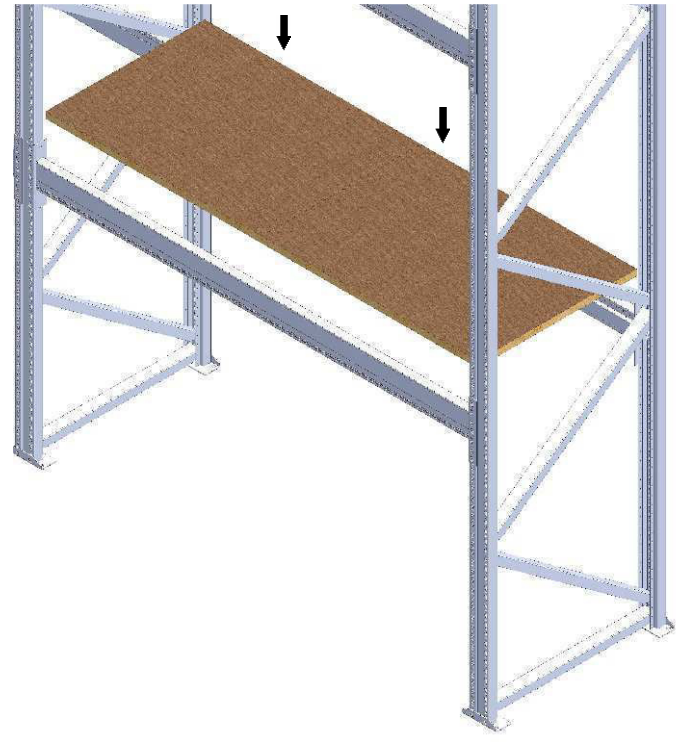
①		M10x25 1628	8.8	4x
②		M10 1743	8.8	4x
③		M10 2536	8.8	4x
④		M10 1771	8.8	4x

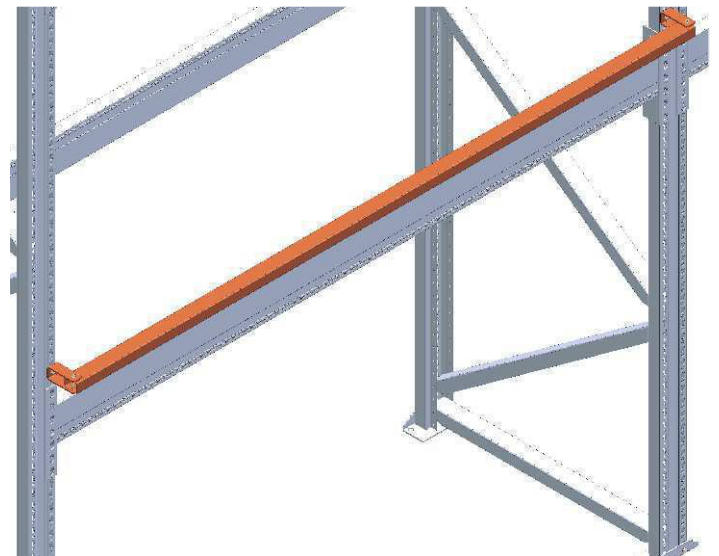
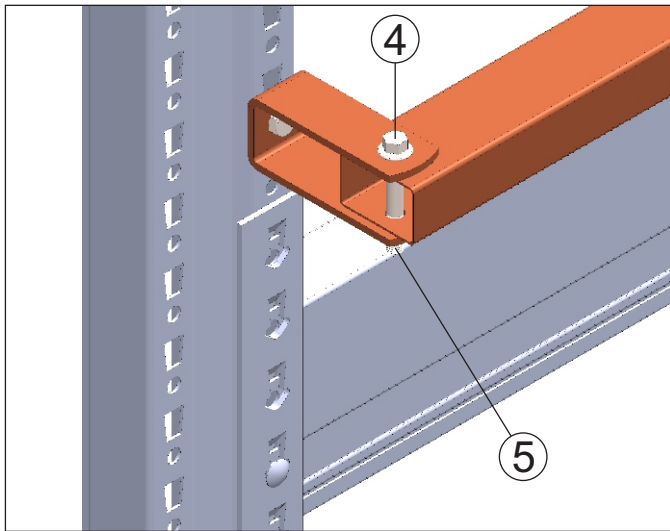
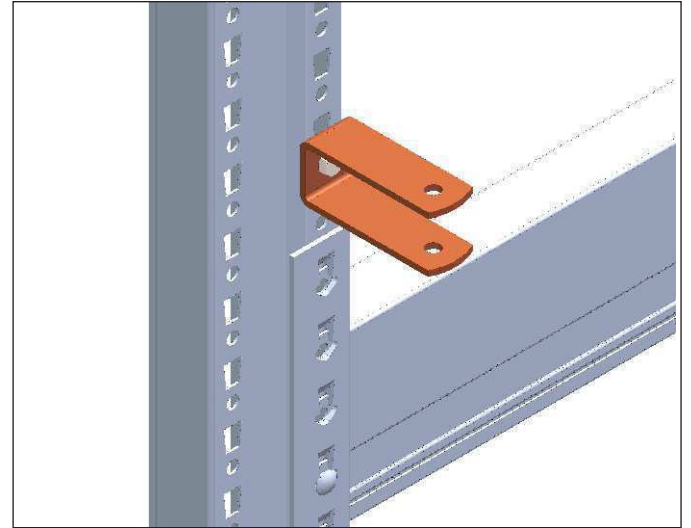
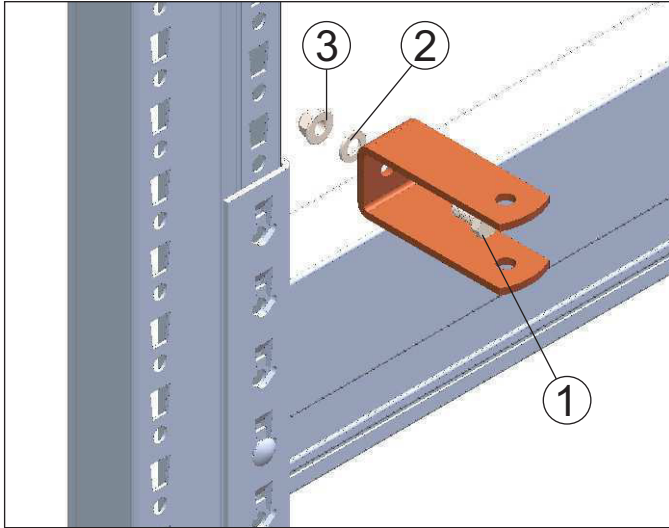


①		M10x25 1628	8.8	4x
②		M10 2536	8.8	4x
③		M10 1743	8.8	4x

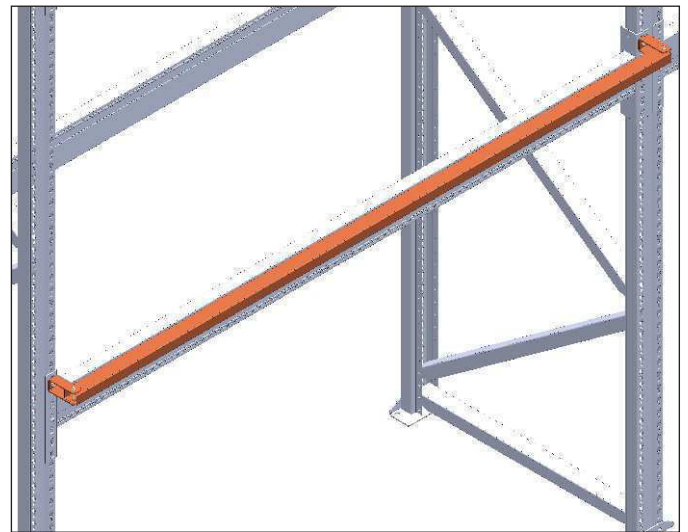
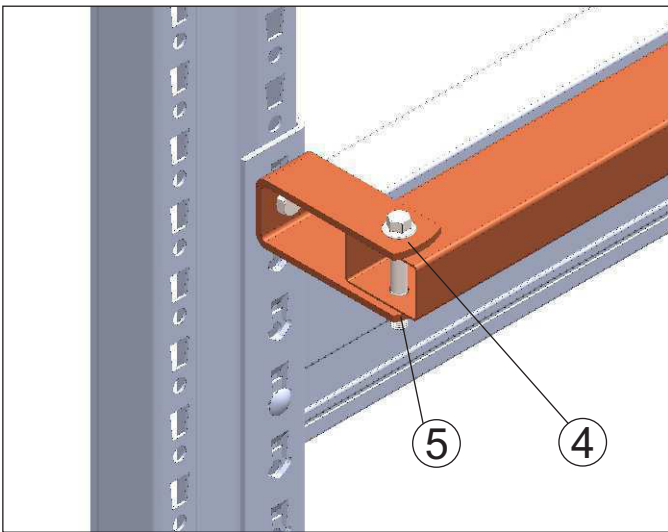
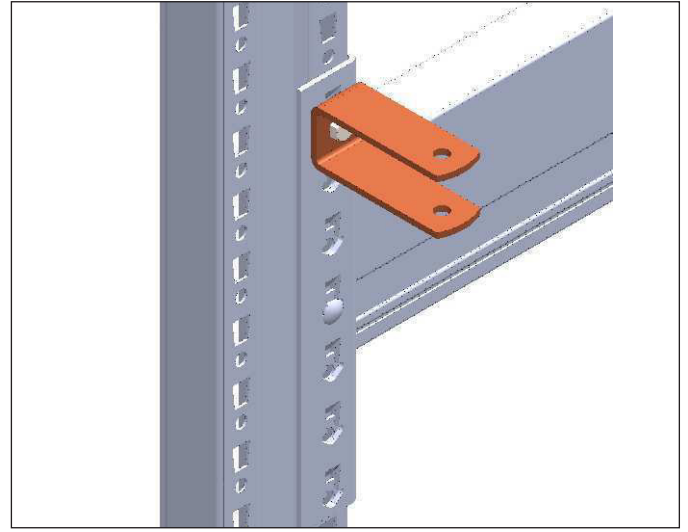
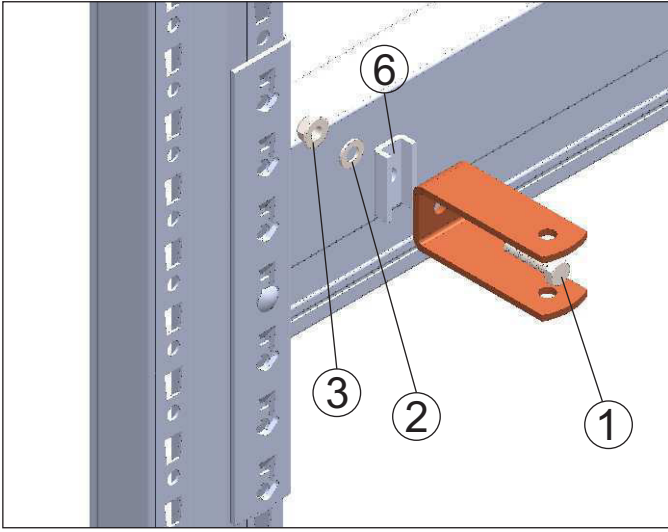


①		M16x230	5.8	3x
②		M16	8.8	3x
③		M16	8.8	6x
④		M18	8.8	3x
⑤		80x80x2	rubber	3x
⑥		M10	8.8	2x
⑦		M10x120	5.8	2x
⑧		M10	8.8	2x

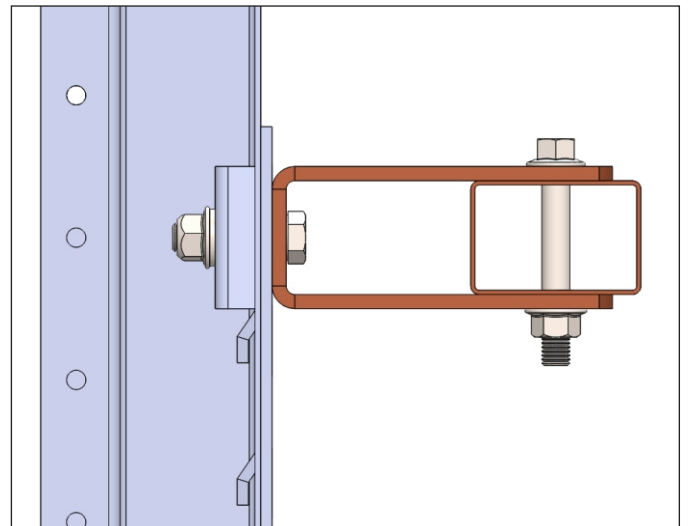


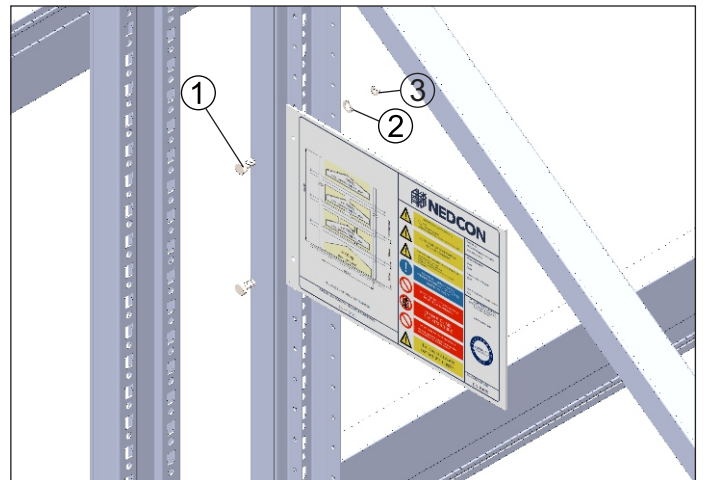
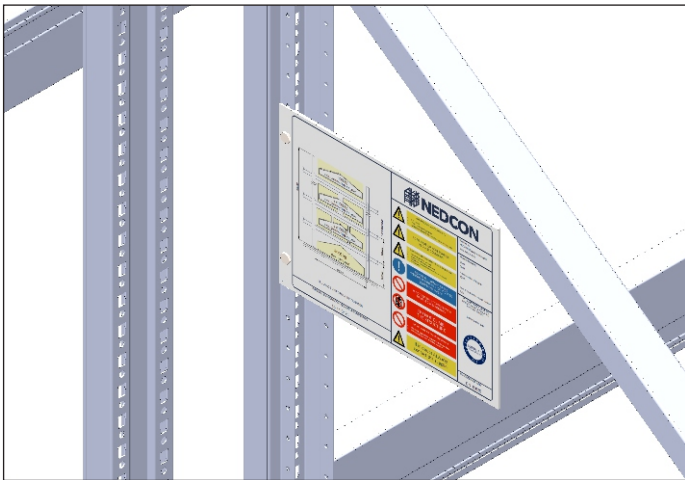
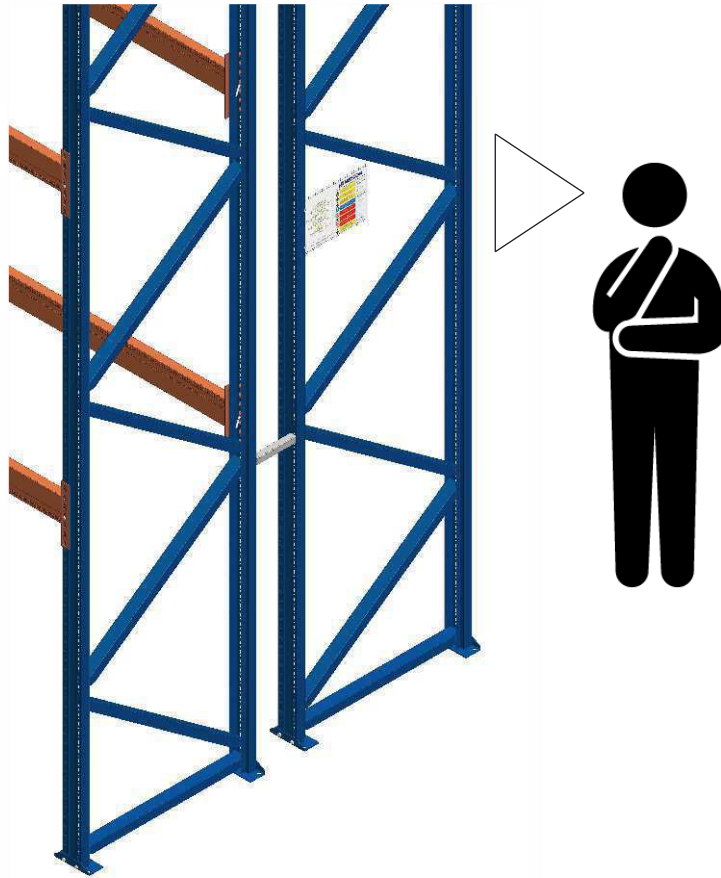


①		M10x25 1628	8.8	2x
②		M10 2536	8.8	2x
③		M10 1743	8.8	2x
④		M10x70 27815	8.8	2x
⑤		M10 27820	8.8	2x



①		M10x40 8858	8.8	2x
②		M10 2536	8.8	2x
③		M10 1743	8.8	2x
④		M10x70 27815	8.8	2x
⑤		M10 27820	8.8	2x
⑥		Bridge	znc	1x





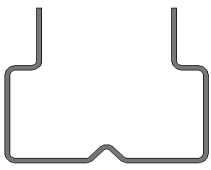
①		M6x25 1628	8.8	2x
②		M6 2536	8.8	2x
③		M6 1743	8.8	2x



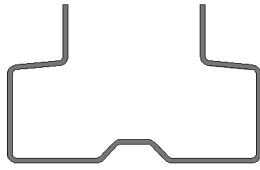
www.nedcon.com



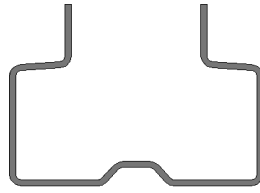
Appendix 1 - Smart Range Overview



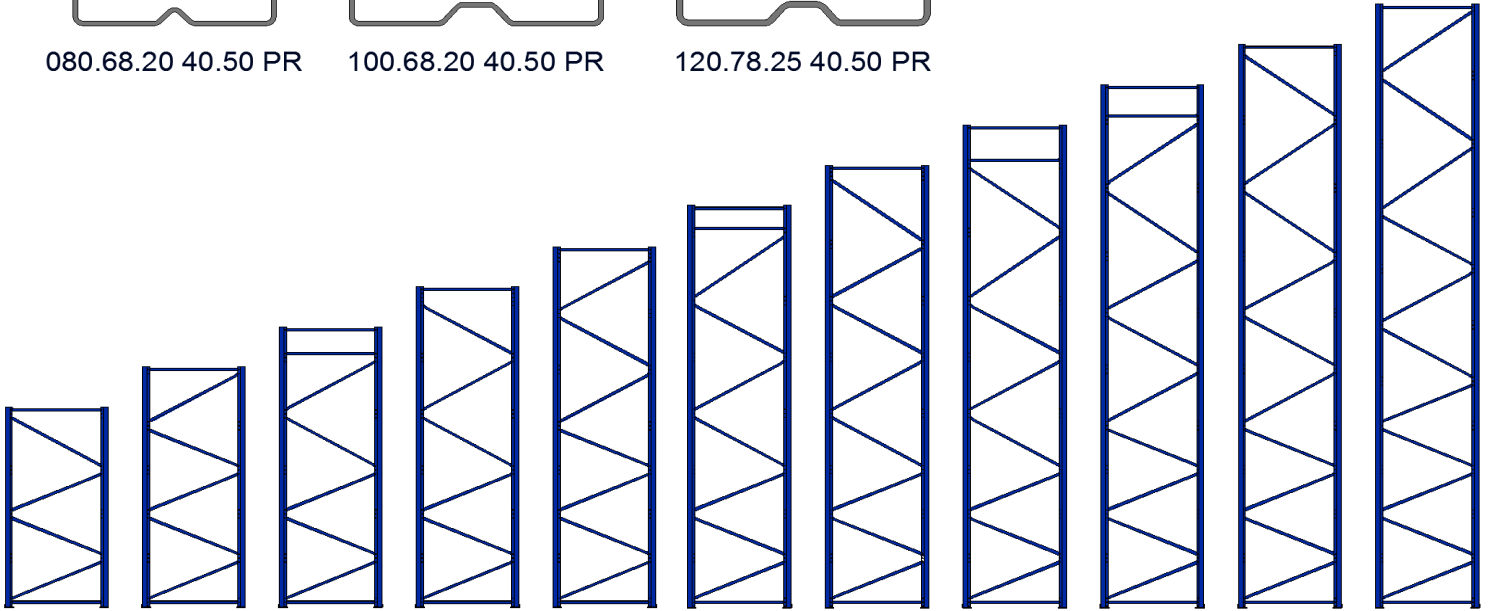
080.68.20 40.50 PR



100.68.20 40.50 PR



120.78.25 40.50 PR



2.500 mm 3.000 mm 3.500 mm 4.000 mm 4.500 mm 5.000 mm 5.500 mm 6.000 mm 6.500 mm 7.000 mm 7.500 mm

080 67 20 4050 PR

100 78 25 5050 PR

100 68 20 4050 PR



Pallet width configuration	Beam length	CC 090 40 15A, S275 + H4	CC 110 40 15A, S275 + H4	CC 130 40 15A, S275 + H5	CC 130 50 15A, S275 + H5	CC 150 50 15A, S355 + H7
	1825 mm	✓	✓	---	---	---
	2300 mm	✓	✓	---	---	---
	2700 mm	✓	✓	✓	---	---
	3300 mm	---	---	---	✓	✓
	3600 mm	---	---	---	✓	✓

